

VOLTHAUS

made for you

RCCB



LOW-VOLTAGE ELECTRICAL PRODUCTS

2024

volthaus.net

Residual current circuit breaker, without overcurrent protection (RCCB)

Series VYL9

IEC 61008-1



Residual current circuit breaker, without overcurrent protection (RCCB), VYL9 series are designed to protect humans from electric shock in AC circuits, and can also be used to protect against fire caused by current leakage through worn-out wire insulation and substandard connections. It is used in the construction of input and distribution electrical panels in apartments, country houses, office and industrial facilities. They are used in AC electrical circuits with a frequency of 50/60 Hz, rated voltage 230/400 V.

Technical parameter

Electrical characteristics

Classification		Protection type		Poles	Rated current (I _n)	Rated sensitivity (I _{Δn})	Sensitivity		Rated voltage (U _e)
AC	A	ELE	ELM				Instantaneous	Delayed	
■	■	■	■	1P+N, 3P+N	16A, 25A, 40A, 63A, 80A, 100A	30mA, 100mA, 300mA	■	■	1P+N:230V~ 3P+N:400V~

Electrical characteristics

Rated insulation voltage (U _i)	Rated frequency	Rated impulse withstand voltage (U _{imp})	Rated residual making and breaking capacity I _m	Short-circuit current I _{nc} =I _{Δc}	Rated residual non-operating current	Break time (Instantaneous)		
						Residual current I _Δ =1I _{Δn}	Residual current I _Δ =2I _{Δn}	Residual current I _Δ =5I _{Δn}
500V	50/60Hz	4kV	500A (below 63A) 10I _n (63A and above)	6kA, 10kA	0.5I _{Δn}	0.1s	0.08s	0.04s

Mechanical properties

Mechanical life and Electric life	Protection class		Ambient temperature	Storage temperature
	Direct install	In distribution box		
4000	Ip20	Ip40	-25°C +60°C	-25°C +70°C

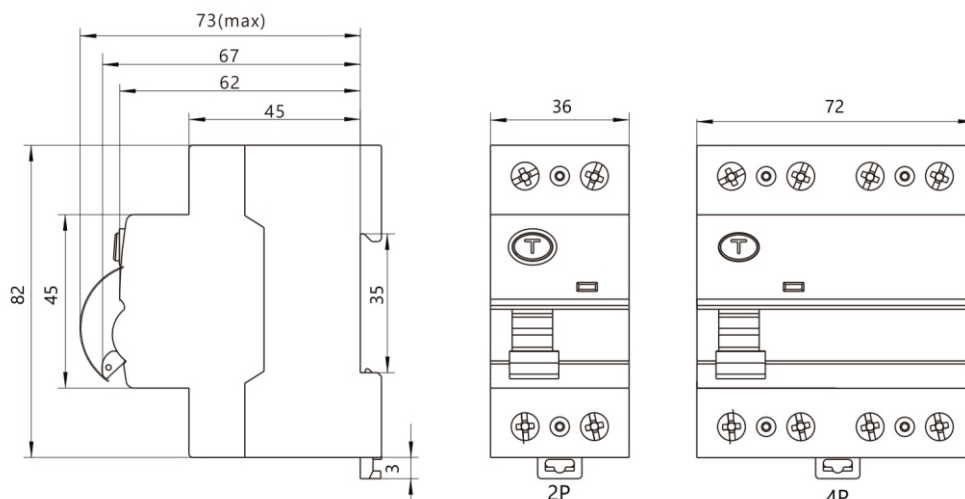
Other characteristics

Wiring size		Fault Indication	Connection	
Copper/Hard Wire	Cord/Hoop Terminals		ELE	ELM
1-35mm ²	1-25mm ²	■	Top line	Top and bottom

Electrical diagram

Poles			
2P		4P	
ELE	ELM	ELE	ELM

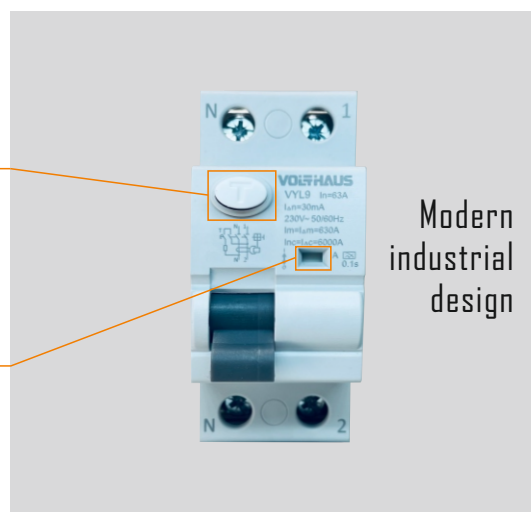
Overall and installation dimensions



Product features

"Test" button to check the device's operability

The series has a special window indicating a fault in the event of a leak. The indicator color is "white" - everything is normal. The indicator color is "red" - a leakage fault.



Product model (article number)

VYL9M-2P-63A-30mA-A-□-6kA

Series RCCB

Protection type: M - electromagnetic type; E - electronic type

Pole: 2P, 4P

Rated current (A): 16, 25, 40, 63, 80, 100

Rated residual action current (mA): 30, 100, 300

Residual current action type: A type; AC type

Performance characteristic: none identifier - instant ($t < 100\text{ms}$); S - delay type ($t: 100\text{-}500\text{ms}$)

Special applications: none identifier - none; SI type (actuation time: 40-150ms)

Rated limit short circuit current (kA): 6, 10

VOLTHAUS

RCCB

RCCB Electromagnetic type (M) 6kA

Article number	Residual current action type	Poles	Rated current In [A]	Rated residual action current I _{Δn} [mA]	Rated breaking capacity I _{cn} [kA]
1P+N 30mA					
VYL9M-2P-16A-30mA-A-6kA	A	2	16	30	6
VYL9M-2P-25A-30mA-A-6kA	A	2	25	30	6
VYL9M-2P-40A-30mA-A-6kA	A	2	40	30	6
VYL9M-2P-63A-30mA-A-6kA	A	2	63	30	6
VYL9M-2P-80A-30mA-A-6kA	A	2	80	30	6
VYL9M-2P-100A-30mA-A-6kA	A	2	100	30	6
VYL9M-2P-16A-30mA-A-SI-6kA	A	2	16	30	6
VYL9M-2P-25A-30mA-A-SI-6kA	A	2	25	30	6
VYL9M-2P-40A-30mA-A-SI-6kA	A	2	40	30	6
VYL9M-2P-63A-30mA-A-SI-6kA	A	2	63	30	6
VYL9M-2P-80A-30mA-A-SI-6kA	A	2	80	30	6
VYL9M-2P-100A-30mA-A-SI-6kA	A	2	100	30	6
1P+N 100mA					
VYL9M-2P-16A-100mA-A-6kA	A	2	16	100	6
VYL9M-2P-25A-100mA-A-6kA	A	2	25	100	6
VYL9M-2P-40A-100mA-A-6kA	A	2	40	100	6
VYL9M-2P-63A-100mA-A-6kA	A	2	63	100	6
VYL9M-2P-80A-100mA-A-6kA	A	2	80	100	6
VYL9M-2P-100A-100mA-A-6kA	A	2	100	100	6
1P+N 300mA					
VYL9M-2P-16A-300mA-A-6kA	A	2	16	300	6
VYL9M-2P-25A-300mA-A-6kA	A	2	25	300	6
VYL9M-2P-40A-300mA-A-6kA	A	2	40	300	6
VYL9M-2P-63A-300mA-A-6kA	A	2	63	300	6
VYL9M-2P-80A-300mA-A-6kA	A	2	80	300	6
VYL9M-2P-100A-300mA-A-6kA	A	2	100	300	6
3P+N 30mA					
VYL9M-4P-16A-30mA-A-6kA	A	4	16	30	6
VYL9M-4P-25A-30mA-A-6kA	A	4	25	30	6
VYL9M-4P-40A-30mA-A-6kA	A	4	40	30	6
VYL9M-4P-63A-30mA-A-6kA	A	4	63	30	6
VYL9M-4P-80A-30mA-A-6kA	A	4	80	30	6
VYL9M-4P-100A-30mA-A-6kA	A	4	100	30	6
VYL9M-4P-16A-30mA-A-SI-6kA	A	4	16	30	6
VYL9M-4P-25A-30mA-A-SI-6kA	A	4	25	30	6
VYL9M-4P-40A-30mA-A-SI-6kA	A	4	40	30	6
VYL9M-4P-63A-30mA-A-SI-6kA	A	4	63	30	6
VYL9M-4P-80A-30mA-A-SI-6kA	A	4	80	30	6
VYL9M-4P-100A-30mA-A-SI-6kA	A	4	100	30	6
3P+N 100mA					
VYL9M-4P-16A-100mA-A-6kA	A	4	16	100	6
VYL9M-4P-25A-100mA-A-6kA	A	4	25	100	6
VYL9M-4P-40A-100mA-A-6kA	A	4	40	100	6
VYL9M-4P-63A-100mA-A-6kA	A	4	63	100	6
VYL9M-4P-80A-100mA-A-6kA	A	4	80	100	6
VYL9M-4P-100A-100mA-A-6kA	A	4	100	100	6
3P+N 300mA					
VYL9M-4P-16A-300mA-A-6kA	A	4	16	300	6
VYL9M-4P-25A-300mA-A-6kA	A	4	25	300	6
VYL9M-4P-40A-300mA-A-6kA	A	4	40	300	6
VYL9M-4P-63A-300mA-A-6kA	A	4	63	300	6
VYL9M-4P-80A-300mA-A-6kA	A	4	80	300	6
VYL9M-4P-100A-300mA-A-6kA	A	4	100	300	6

RCCB Electronic type (E) 6kA

Article number	Residual current action type	Poles	Rated current In [A]	Rated residual action current I _{Δn} [mA]	Rated breaking capacity I _{cn} [kA]
1P+N 30mA					
VYL9E-2P-16A-30mA-A-6kA	A	2	16	30	6
VYL9E-2P-25A-30mA-A-6kA	A	2	25	30	6
VYL9E-2P-40A-30mA-A-6kA	A	2	40	30	6
VYL9E-2P-63A-30mA-A-6kA	A	2	63	30	6
VYL9E-2P-80A-30mA-A-6kA	A	2	80	30	6
VYL9E-2P-100A-30mA-A-6kA	A	2	100	30	6
VYL9E-2P-16A-30mA-A-SI-6kA	A	2	16	30	6
VYL9E-2P-25A-30mA-A-SI-6kA	A	2	25	30	6
VYL9E-2P-40A-30mA-A-SI-6kA	A	2	40	30	6
VYL9E-2P-63A-30mA-A-SI-6kA	A	2	63	30	6
VYL9E-2P-80A-30mA-A-SI-6kA	A	2	80	30	6
VYL9E-2P-100A-30mA-A-SI-6kA	A	2	100	30	6
1P+N 100mA					
VYL9E-2P-16A-100mA-A-6kA	A	2	16	100	6
VYL9E-2P-25A-100mA-A-6kA	A	2	25	100	6
VYL9E-2P-40A-100mA-A-6kA	A	2	40	100	6
VYL9E-2P-63A-100mA-A-6kA	A	2	63	100	6
VYL9E-2P-80A-100mA-A-6kA	A	2	80	100	6
VYL9E-2P-100A-100mA-A-6kA	A	2	100	100	6
1P+N 300mA					
VYL9E-2P-16A-300mA-A-6kA	A	2	16	300	6
VYL9E-2P-25A-300mA-A-6kA	A	2	25	300	6
VYL9E-2P-40A-300mA-A-6kA	A	2	40	300	6
VYL9E-2P-63A-300mA-A-6kA	A	2	63	300	6
VYL9E-2P-80A-300mA-A-6kA	A	2	80	300	6
VYL9E-2P-100A-300mA-A-6kA	A	2	100	300	6
3P+N 30mA					
VYL9E-4P-16A-30mA-A-6kA	A	4	16	30	6
VYL9E-4P-25A-30mA-A-6kA	A	4	25	30	6
VYL9E-4P-40A-30mA-A-6kA	A	4	40	30	6
VYL9E-4P-63A-30mA-A-6kA	A	4	63	30	6
VYL9E-4P-80A-30mA-A-6kA	A	4	80	30	6
VYL9E-4P-100A-30mA-A-6kA	A	4	100	30	6
VYL9E-4P-16A-30mA-A-SI-6kA	A	4	16	30	6
VYL9E-4P-25A-30mA-A-SI-6kA	A	4	25	30	6
VYL9E-4P-40A-30mA-A-SI-6kA	A	4	40	30	6
VYL9E-4P-63A-30mA-A-SI-6kA	A	4	63	30	6
VYL9E-4P-80A-30mA-A-SI-6kA	A	4	80	30	6
VYL9E-4P-100A-30mA-A-SI-6kA	A	4	100	30	6
3P+N 100mA					
VYL9E-4P-16A-100mA-A-6kA	A	4	16	100	6
VYL9E-4P-25A-100mA-A-6kA	A	4	25	100	6
VYL9E-4P-40A-100mA-A-6kA	A	4	40	100	6
VYL9E-4P-63A-100mA-A-6kA	A	4	63	100	6
VYL9E-4P-80A-100mA-A-6kA	A	4	80	100	6
VYL9E-4P-100A-100mA-A-6kA	A	4	100	100	6
3P+N 300mA					
VYL9E-4P-16A-300mA-A-6kA	A	4	16	300	6
VYL9E-4P-25A-300mA-A-6kA	A	4	25	300	6
VYL9E-4P-40A-300mA-A-6kA	A	4	40	300	6
VYL9E-4P-63A-300mA-A-6kA	A	4	63	300	6
VYL9E-4P-80A-300mA-A-6kA	A	4	80	300	6
VYL9E-4P-100A-300mA-A-6kA	A	4	100	300	6

RCCB Electromagnetic type (M) 10kA					
Article number	Residual current action type	Poles	Rated current In [A]	Rated residual action current I _{Δn} [mA]	Rated breaking capacity I _{cn} [kA]
1P+N 30mA					
VYL9M-2P-16A-30mA-A-10kA	A	2	16	30	10
VYL9M-2P-25A-30mA-A-10kA	A	2	25	30	10
VYL9M-2P-40A-30mA-A-10kA	A	2	40	30	10
VYL9M-2P-63A-30mA-A-10kA	A	2	63	30	10
VYL9M-2P-80A-30mA-A-10kA	A	2	80	30	10
VYL9M-2P-100A-30mA-A-10kA	A	2	100	30	10
VYL9M-2P-16A-30mA-A-SI-10kA	A	2	16	30	10
VYL9M-2P-25A-30mA-A-SI-10kA	A	2	25	30	10
VYL9M-2P-40A-30mA-A-SI-10kA	A	2	40	30	10
VYL9M-2P-63A-30mA-A-SI-10kA	A	2	63	30	10
VYL9M-2P-80A-30mA-A-SI-10kA	A	2	80	30	10
VYL9M-2P-100A-30mA-A-SI-10kA	A	2	100	30	10
1P+N 100mA					
VYL9M-2P-16A-100mA-A-10kA	A	2	16	100	10
VYL9M-2P-25A-100mA-A-10kA	A	2	25	100	10
VYL9M-2P-40A-100mA-A-10kA	A	2	40	100	10
VYL9M-2P-63A-100mA-A-10kA	A	2	63	100	10
VYL9M-2P-80A-100mA-A-10kA	A	2	80	100	10
VYL9M-2P-100A-100mA-A-10kA	A	2	100	100	10
1P+N 300mA					
VYL9M-2P-16A-300mA-A-10kA	A	2	16	300	10
VYL9M-2P-25A-300mA-A-10kA	A	2	25	300	10
VYL9M-2P-40A-300mA-A-10kA	A	2	40	300	10
VYL9M-2P-63A-300mA-A-10kA	A	2	63	300	10
VYL9M-2P-80A-300mA-A-10kA	A	2	80	300	10
VYL9M-2P-100A-300mA-A-10kA	A	2	100	300	10
3P+N 30mA					
VYL9M-4P-16A-30mA-A-10kA	A	4	16	30	10
VYL9M-4P-25A-30mA-A-10kA	A	4	25	30	10
VYL9M-4P-40A-30mA-A-10kA	A	4	40	30	10
VYL9M-4P-63A-30mA-A-10kA	A	4	63	30	10
VYL9M-4P-80A-30mA-A-10kA	A	4	80	30	10
VYL9M-4P-100A-30mA-A-10kA	A	4	100	30	10
VYL9M-4P-16A-30mA-A-SI-10kA	A	4	16	30	10
VYL9M-4P-25A-30mA-A-SI-10kA	A	4	25	30	10
VYL9M-4P-40A-30mA-A-SI-10kA	A	4	40	30	10
VYL9M-4P-63A-30mA-A-SI-10kA	A	4	63	30	10
VYL9M-4P-80A-30mA-A-SI-10kA	A	4	80	30	10
VYL9M-4P-100A-30mA-A-SI-10kA	A	4	100	30	10
3P+N 100mA					
VYL9M-4P-16A-100mA-A-10kA	A	4	16	100	10
VYL9M-4P-25A-100mA-A-10kA	A	4	25	100	10
VYL9M-4P-40A-100mA-A-10kA	A	4	40	100	10
VYL9M-4P-63A-100mA-A-10kA	A	4	63	100	10
VYL9M-4P-80A-100mA-A-10kA	A	4	80	100	10
VYL9M-4P-100A-100mA-A-10kA	A	4	100	100	10
3P+N 300mA					
VYL9M-4P-16A-300mA-A-10kA	A	4	16	300	10
VYL9M-4P-25A-300mA-A-10kA	A	4	25	300	10
VYL9M-4P-40A-300mA-A-10kA	A	4	40	300	10
VYL9M-4P-63A-300mA-A-10kA	A	4	63	300	10
VYL9M-4P-80A-300mA-A-10kA	A	4	80	300	10
VYL9M-4P-100A-300mA-A-10kA	A	4	100	300	10

RCCB Electronic type (E) 10kA					
Article number	Residual current action type	Poles	Rated current In [A]	Rated residual action current I _{Δn} [mA]	Rated breaking capacity I _{cn} [kA]
1P+N 30mA					
VYL9E-2P-16A-30mA-A-10kA	A	2	16	30	10
VYL9E-2P-25A-30mA-A-10kA	A	2	25	30	10
VYL9E-2P-40A-30mA-A-10kA	A	2	40	30	10
VYL9E-2P-63A-30mA-A-10kA	A	2	63	30	10
VYL9E-2P-80A-30mA-A-10kA	A	2	80	30	10
VYL9E-2P-100A-30mA-A-10kA	A	2	100	30	10
VYL9E-2P-16A-30mA-A-SI-10kA	A	2	16	30	10
VYL9E-2P-25A-30mA-A-SI-10kA	A	2	25	30	10
VYL9E-2P-40A-30mA-A-SI-10kA	A	2	40	30	10
VYL9E-2P-63A-30mA-A-SI-10kA	A	2	63	30	10
VYL9E-2P-80A-30mA-A-SI-10kA	A	2	80	30	10
VYL9E-2P-100A-30mA-A-SI-10kA	A	2	100	30	10
1P+N 100mA					
VYL9E-2P-16A-100mA-A-10kA	A	2	16	100	10
VYL9E-2P-25A-100mA-A-10kA	A	2	25	100	10
VYL9E-2P-40A-100mA-A-10kA	A	2	40	100	10
VYL9E-2P-63A-100mA-A-10kA	A	2	63	100	10
VYL9E-2P-80A-100mA-A-10kA	A	2	80	100	10
VYL9E-2P-100A-100mA-A-10kA	A	2	100	100	10
1P+N 300mA					
VYL9E-2P-16A-300mA-A-10kA	A	2	16	300	10
VYL9E-2P-25A-300mA-A-10kA	A	2	25	300	10
VYL9E-2P-40A-300mA-A-10kA	A	2	40	300	10
VYL9E-2P-63A-300mA-A-10kA	A	2	63	300	10
VYL9E-2P-80A-300mA-A-10kA	A	2	80	300	10
VYL9E-2P-100A-300mA-A-10kA	A	2	100	300	10
3P+N 30mA					
VYL9E-4P-16A-30mA-A-10kA	A	4	16	30	10
VYL9E-4P-25A-30mA-A-10kA	A	4	25	30	10
VYL9E-4P-40A-30mA-A-10kA	A	4	40	30	10
VYL9E-4P-63A-30mA-A-10kA	A	4	63	30	10
VYL9E-4P-80A-30mA-A-10kA	A	4	80	30	10
VYL9E-4P-100A-30mA-A-10kA	A	4	100	30	10
VYL9E-4P-16A-30mA-A-SI-10kA	A	4	16	30	10
VYL9E-4P-25A-30mA-A-SI-10kA	A	4	25	30	10
VYL9E-4P-40A-30mA-A-SI-10kA	A	4	40	30	10
VYL9E-4P-63A-30mA-A-SI-10kA	A	4	63	30	10
VYL9E-4P-80A-30mA-A-SI-10kA	A	4	80	30	10
VYL9E-4P-100A-30mA-A-SI-10kA	A	4	100	30	10
3P+N 100mA					
VYL9E-4P-16A-100mA-A-10kA	A	4	16	100	10
VYL9E-4P-25A-100mA-A-10kA	A	4	25	100	10
VYL9E-4P-40A-100mA-A-10kA	A	4	40	100	10
VYL9E-4P-63A-100mA-A-10kA	A	4	63	100	10
VYL9E-4P-80A-100mA-A-10kA	A	4	80	100	10
VYL9E-4P-100A-100mA-A-10kA	A	4	100	100	10
3P+N 300mA					
VYL9E-4P-16A-300mA-A-10kA	A	4	16	300	10
VYL9E-4P-25A-300mA-A-10kA	A	4	25	300	10
VYL9E-4P-40A-300mA-A-10kA	A	4	40	300	10
VYL9E-4P-63A-300mA-A-10kA	A	4	63	300	10
VYL9E-4P-80A-300mA-A-10kA	A	4	80	300	10
VYL9E-4P-100A-300mA-A-10kA	A	4	100	300	10

RCCB Electromagnetic type (M) 6kA

Article number	Residual current action type	Poles	Rated current In [A]	Rated residual action current I _{Δn} [mA]	Rated breaking capacity I _{cn} [kA]
1P+N 30mA					
VYL9M-2P-16A-30mA-AC-6kA	AC	2	16	30	6
VYL9M-2P-25A-30mA-AC-6kA	AC	2	25	30	6
VYL9M-2P-40A-30mA-AC-6kA	AC	2	40	30	6
VYL9M-2P-63A-30mA-AC-6kA	AC	2	63	30	6
VYL9M-2P-80A-30mA-AC-6kA	AC	2	80	30	6
VYL9M-2P-100A-30mA-AC-6kA	AC	2	100	30	6
1P+N 100mA					
VYL9M-2P-16A-100mA-AC-6kA	AC	2	16	100	6
VYL9M-2P-25A-100mA-AC-6kA	AC	2	25	100	6
VYL9M-2P-40A-100mA-AC-6kA	AC	2	40	100	6
VYL9M-2P-63A-100mA-AC-6kA	AC	2	63	100	6
VYL9M-2P-80A-100mA-AC-6kA	AC	2	80	100	6
VYL9M-2P-100A-100mA-AC-6kA	AC	2	100	100	6
VYL9M-2P-16A-100mA-AC-S-6kA	AC	2	16	100	6
VYL9M-2P-25A-100mA-AC-S-6kA	AC	2	25	100	6
VYL9M-2P-40A-100mA-AC-S-6kA	AC	2	40	100	6
VYL9M-2P-63A-100mA-AC-S-6kA	AC	2	63	100	6
VYL9M-2P-80A-100mA-AC-S-6kA	AC	2	80	100	6
1P+N 300mA					
VYL9M-2P-16A-300mA-AC-6kA	AC	2	16	300	6
VYL9M-2P-25A-300mA-AC-6kA	AC	2	25	300	6
VYL9M-2P-40A-300mA-AC-6kA	AC	2	40	300	6
VYL9M-2P-63A-300mA-AC-6kA	AC	2	63	300	6
VYL9M-2P-80A-300mA-AC-6kA	AC	2	80	300	6
VYL9M-2P-100A-300mA-AC-6kA	AC	2	100	300	6
VYL9M-2P-16A-300mA-AC-S-6kA	AC	2	16	300	6
VYL9M-2P-25A-300mA-AC-S-6kA	AC	2	25	300	6
VYL9M-2P-40A-300mA-AC-S-6kA	AC	2	40	300	6
VYL9M-2P-63A-300mA-AC-S-6kA	AC	2	63	300	6
VYL9M-2P-80A-300mA-AC-S-6kA	AC	2	80	300	6
3P+N 30mA					
VYL9M-4P-16A-30mA-AC-6kA	AC	4	16	30	6
VYL9M-4P-25A-30mA-AC-6kA	AC	4	25	30	6
VYL9M-4P-40A-30mA-AC-6kA	AC	4	40	30	6
VYL9M-4P-63A-30mA-AC-6kA	AC	4	63	30	6
VYL9M-4P-80A-30mA-AC-6kA	AC	4	80	30	6
VYL9M-4P-100A-30mA-AC-6kA	AC	4	100	30	6
3P+N 100mA					
VYL9M-4P-16A-100mA-AC-6kA	AC	4	16	100	6
VYL9M-4P-25A-100mA-AC-6kA	AC	4	25	100	6
VYL9M-4P-40A-100mA-AC-6kA	AC	4	40	100	6
VYL9M-4P-63A-100mA-AC-6kA	AC	4	63	100	6
VYL9M-4P-80A-100mA-AC-6kA	AC	4	80	100	6
VYL9M-4P-100A-100mA-AC-6kA	AC	4	100	100	6
VYL9M-4P-16A-100mA-AC-S-6kA	AC	4	16	100	6
VYL9M-4P-25A-100mA-AC-S-6kA	AC	4	25	100	6
VYL9M-4P-40A-100mA-AC-S-6kA	AC	4	40	100	6
VYL9M-4P-63A-100mA-AC-S-6kA	AC	4	63	100	6
VYL9M-4P-80A-100mA-AC-S-6kA	AC	4	80	100	6
VYL9M-4P-100A-100mA-AC-S-6kA	AC	4	100	100	6
3P+N 300mA					
VYL9M-4P-16A-300mA-AC-6kA	AC	4	16	300	6
VYL9M-4P-25A-300mA-AC-6kA	AC	4	25	300	6
VYL9M-4P-40A-300mA-AC-6kA	AC	4	40	300	6
VYL9M-4P-63A-300mA-AC-6kA	AC	4	63	300	6
VYL9M-4P-80A-300mA-AC-6kA	AC	4	80	300	6
VYL9M-4P-100A-300mA-AC-6kA	AC	4	100	300	6
VYL9M-4P-16A-300mA-AC-S-6kA	AC	4	16	300	6
VYL9M-4P-25A-300mA-AC-S-6kA	AC	4	25	300	6
VYL9M-4P-40A-300mA-AC-S-6kA	AC	4	40	300	6
VYL9M-4P-63A-300mA-AC-S-6kA	AC	4	63	300	6
VYL9M-4P-80A-300mA-AC-S-6kA	AC	4	80	300	6
VYL9M-4P-100A-300mA-AC-S-6kA	AC	4	100	300	6

RCCB Electronic type (E) 6kA

Article number	Residual current action type	Poles	Rated current In [A]	Rated residual action current I _{Δn} [mA]	Rated breaking capacity I _{cn} [kA]
1P+N 30mA					
VYL9E-2P-16A-30mA-AC-6kA	AC	2	16	30	6
VYL9E-2P-25A-30mA-AC-6kA	AC	2	25	30	6
VYL9E-2P-40A-30mA-AC-6kA	AC	2	40	30	6
VYL9E-2P-63A-30mA-AC-6kA	AC	2	63	30	6
VYL9E-2P-80A-30mA-AC-6kA	AC	2	80	30	6
VYL9E-2P-100A-30mA-AC-6kA	AC	2	100	30	6
1P+N 100mA					
VYL9E-2P-16A-100mA-AC-6kA	AC	2	16	100	6
VYL9E-2P-25A-100mA-AC-6kA	AC	2	25	100	6
VYL9E-2P-40A-100mA-AC-6kA	AC	2	40	100	6
VYL9E-2P-63A-100mA-AC-6kA	AC	2	63	100	6
VYL9E-2P-80A-100mA-AC-6kA	AC	2	80	100	6
VYL9E-2P-100A-100mA-AC-6kA	AC	2	100	100	6
VYL9E-2P-16A-100mA-AC-S-6kA	AC	2	16	100	6
VYL9E-2P-25A-100mA-AC-S-6kA	AC	2	25	100	6
VYL9E-2P-40A-100mA-AC-S-6kA	AC	2	40	100	6
VYL9E-2P-63A-100mA-AC-S-6kA	AC	2	63	100	6
VYL9E-2P-80A-100mA-AC-S-6kA	AC	2	80	100	6
1P+N 300mA					
VYL9E-2P-16A-300mA-AC-6kA	AC	2	16	300	6
VYL9E-2P-25A-300mA-AC-6kA	AC	2	25	300	6
VYL9E-2P-40A-300mA-AC-6kA	AC	2	40	300	6
VYL9E-2P-63A-300mA-AC-6kA	AC	2	63	300	6
VYL9E-2P-80A-300mA-AC-6kA	AC	2	80	300	6
VYL9E-2P-100A-300mA-AC-6kA	AC	2	100	300	6
VYL9E-2P-16A-300mA-AC-S-6kA	AC	2	16	300	6
VYL9E-2P-25A-300mA-AC-S-6kA	AC	2	25	300	6
VYL9E-2P-40A-300mA-AC-S-6kA	AC	2	40	300	6
VYL9E-2P-63A-300mA-AC-S-6kA	AC	2	63	300	6
VYL9E-2P-80A-300mA-AC-S-6kA	AC	2	80	300	6
3P+N 30mA					
VYL9E-4P-16A-30mA-AC-6kA	AC	4	16	30	6
VYL9E-4P-25A-30mA-AC-6kA	AC	4	25	30	6
VYL9E-4P-40A-30mA-AC-6kA	AC	4	40	30	6
VYL9E-4P-63A-30mA-AC-6kA	AC	4	63	30	6
VYL9E-4P-80A-30mA-AC-6kA	AC	4	80	30	6
VYL9E-4P-100A-30mA-AC-6kA	AC	4	100	30	6
3P+N 100mA					
VYL9E-4P-16A-100mA-AC-6kA	AC	4	16	100	6
VYL9E-4P-25A-100mA-AC-6kA	AC	4	25	100	6
VYL9E-4P-40A-100mA-AC-6kA	AC	4	40	100	6
VYL9E-4P-63A-100mA-AC-6kA	AC	4	63	100	6
VYL9E-4P-80A-100mA-AC-6kA	AC	4	80	100	6
VYL9E-4P-100A-100mA-AC-6kA	AC	4	100	100	6
VYL9E-4P-16A-100mA-AC-S-6kA	AC	4	16	100	6
VYL9E-4P-25A-100mA-AC-S-6kA	AC	4	25	100	6
VYL9E-4P-40A-100mA-AC-S-6kA	AC	4	40	100	6
VYL9E-4P-63A-100mA-AC-S-6kA	AC	4	63	100	6
VYL9E-4P-80A-100mA-AC-S-6kA	AC	4	80	100	6
VYL9E-4P-100A-100mA-AC-S-6kA	AC	4	100	100	6
3P+N 300mA					
VYL9E-4P-16A-300mA-AC-6kA	AC	4	16	300	6
VYL9E-4P-25A-300mA-AC-6kA	AC	4	25	300	6
VYL9E-4P-40A-300mA-AC-6kA	AC	4	40	300	6
VYL9E-4P-63A-300mA-AC-6kA	AC	4	63	300	6
VYL9E-4P-80A-300mA-AC-6kA	AC	4	80	300	6
VYL9E-4P-100A-300mA-AC-6kA	AC	4	100	300	6
VYL9E-4P-16A-300mA-AC-S-6kA	AC	4	16	300	6
VYL9E-4P-25A-300mA-AC-S-6kA	AC	4	25	300	6
VYL9E-4P-40A-300mA-AC-S-6kA	AC	4	40	300	6
VYL9E-4P-63A-300mA-AC-S-6kA	AC	4	63	300	6
VYL9E-4P-80A-300mA-AC-S-6kA	AC	4	80	300	6
VYL9E-4P-100A-300mA-AC-S-6kA	AC	4	100	300	6

RCCB Electromagnetic type (M) 10kA

Article number	Residual current action type	Poles	Rated current In [A]	Rated residual action current I _{Δn} [mA]	Rated breaking capacity I _{cn} [kA]
1P+N 30mA					
VYL9M-2P-16A-30mA-AC-10kA	AC	2	16	30	10
VYL9M-2P-25A-30mA-AC-10kA	AC	2	25	30	10
VYL9M-2P-40A-30mA-AC-10kA	AC	2	40	30	10
VYL9M-2P-63A-30mA-AC-10kA	AC	2	63	30	10
VYL9M-2P-80A-30mA-AC-10kA	AC	2	80	30	10
VYL9M-2P-100A-30mA-AC-10kA	AC	2	100	30	10
1P+N 100mA					
VYL9M-2P-16A-100mA-AC-10kA	AC	2	16	100	10
VYL9M-2P-25A-100mA-AC-10kA	AC	2	25	100	10
VYL9M-2P-40A-100mA-AC-10kA	AC	2	40	100	10
VYL9M-2P-63A-100mA-AC-10kA	AC	2	63	100	10
VYL9M-2P-80A-100mA-AC-10kA	AC	2	80	100	10
VYL9M-2P-100A-100mA-AC-10kA	AC	2	100	100	10
VYL9M-2P-16A-100mA-AC-S-10kA	AC	2	16	100	10
VYL9M-2P-25A-100mA-AC-S-10kA	AC	2	25	100	10
VYL9M-2P-40A-100mA-AC-S-10kA	AC	2	40	100	10
VYL9M-2P-63A-100mA-AC-S-10kA	AC	2	63	100	10
VYL9M-2P-80A-100mA-AC-S-10kA	AC	2	80	100	10
1P+N 300mA					
VYL9M-2P-16A-300mA-AC-10kA	AC	2	16	300	10
VYL9M-2P-25A-300mA-AC-10kA	AC	2	25	300	10
VYL9M-2P-40A-300mA-AC-10kA	AC	2	40	300	10
VYL9M-2P-63A-300mA-AC-10kA	AC	2	63	300	10
VYL9M-2P-80A-300mA-AC-10kA	AC	2	80	300	10
VYL9M-2P-100A-300mA-AC-10kA	AC	2	100	300	10
VYL9M-2P-16A-300mA-AC-S-10kA	AC	2	16	300	10
VYL9M-2P-25A-300mA-AC-S-10kA	AC	2	25	300	10
VYL9M-2P-40A-300mA-AC-S-10kA	AC	2	40	300	10
VYL9M-2P-63A-300mA-AC-S-10kA	AC	2	63	300	10
VYL9M-2P-80A-300mA-AC-S-10kA	AC	2	80	300	10
3P+N 30mA					
VYL9M-4P-16A-30mA-AC-10kA	AC	4	16	30	10
VYL9M-4P-25A-30mA-AC-10kA	AC	4	25	30	10
VYL9M-4P-40A-30mA-AC-10kA	AC	4	40	30	10
VYL9M-4P-63A-30mA-AC-10kA	AC	4	63	30	10
VYL9M-4P-80A-30mA-AC-10kA	AC	4	80	30	10
VYL9M-4P-100A-30mA-AC-10kA	AC	4	100	30	10
3P+N 100mA					
VYL9M-4P-16A-100mA-AC-10kA	AC	4	16	100	10
VYL9M-4P-25A-100mA-AC-10kA	AC	4	25	100	10
VYL9M-4P-40A-100mA-AC-10kA	AC	4	40	100	10
VYL9M-4P-63A-100mA-AC-10kA	AC	4	63	100	10
VYL9M-4P-80A-100mA-AC-10kA	AC	4	80	100	10
VYL9M-4P-100A-100mA-AC-10kA	AC	4	100	100	10
VYL9M-4P-16A-100mA-AC-S-10kA	AC	4	16	100	10
VYL9M-4P-25A-100mA-AC-S-10kA	AC	4	25	100	10
VYL9M-4P-40A-100mA-AC-S-10kA	AC	4	40	100	10
VYL9M-4P-63A-100mA-AC-S-10kA	AC	4	63	100	10
VYL9M-4P-80A-100mA-AC-S-10kA	AC	4	80	100	10
VYL9M-4P-100A-100mA-AC-S-10kA	AC	4	100	100	10
3P+N 300mA					
VYL9M-4P-16A-300mA-AC-10kA	AC	4	16	300	10
VYL9M-4P-25A-300mA-AC-10kA	AC	4	25	300	10
VYL9M-4P-40A-300mA-AC-10kA	AC	4	40	300	10
VYL9M-4P-63A-300mA-AC-10kA	AC	4	63	300	10
VYL9M-4P-80A-300mA-AC-10kA	AC	4	80	300	10
VYL9M-4P-100A-300mA-AC-10kA	AC	4	100	300	10
VYL9M-4P-16A-300mA-AC-S-10kA	AC	4	16	300	10
VYL9M-4P-25A-300mA-AC-S-10kA	AC	4	25	300	10
VYL9M-4P-40A-300mA-AC-S-10kA	AC	4	40	300	10
VYL9M-4P-63A-300mA-AC-S-10kA	AC	4	63	300	10
VYL9M-4P-80A-300mA-AC-S-10kA	AC	4	80	300	10
VYL9M-4P-100A-300mA-AC-S-10kA	AC	4	100	300	10

RCCB Electronic type (E) 10kA

Article number	Residual current action type	Poles	Rated current In [A]	Rated residual action current I _{Δn} [mA]	Rated breaking capacity I _{cn} [kA]
1P+N 30mA					
VYL9E-2P-16A-30mA-AC-10kA	AC	2	16	30	10
VYL9E-2P-25A-30mA-AC-10kA	AC	2	25	30	10
VYL9E-2P-40A-30mA-AC-10kA	AC	2	40	30	10
VYL9E-2P-63A-30mA-AC-10kA	AC	2	63	30	10
VYL9E-2P-80A-30mA-AC-10kA	AC	2	80	30	10
VYL9E-2P-100A-30mA-AC-10kA	AC	2	100	30	10
1P+N 100mA					
VYL9E-2P-16A-100mA-AC-10kA	AC	2	16	100	10
VYL9E-2P-25A-100mA-AC-10kA	AC	2	25	100	10
VYL9E-2P-40A-100mA-AC-10kA	AC	2	40	100	10
VYL9E-2P-63A-100mA-AC-10kA	AC	2	63	100	10
VYL9E-2P-80A-100mA-AC-10kA	AC	2	80	100	10
VYL9E-2P-100A-100mA-AC-10kA	AC	2	100	100	10
VYL9E-2P-16A-100mA-AC-S-10kA	AC	2	16	100	10
VYL9E-2P-25A-100mA-AC-S-10kA	AC	2	25	100	10
VYL9E-2P-40A-100mA-AC-S-10kA	AC	2	40	100	10
VYL9E-2P-63A-100mA-AC-S-10kA	AC	2	63	100	10
VYL9E-2P-80A-100mA-AC-S-10kA	AC	2	80	100	10
1P+N 300mA					
VYL9E-2P-16A-300mA-AC-10kA	AC	2	16	300	10
VYL9E-2P-25A-300mA-AC-10kA	AC	2	25	300	10
VYL9E-2P-40A-300mA-AC-10kA	AC	2	40	300	10
VYL9E-2P-63A-300mA-AC-10kA	AC	2	63	300	10
VYL9E-2P-80A-300mA-AC-10kA	AC	2	80	300	10
VYL9E-2P-100A-300mA-AC-10kA	AC	2	100	300	10
VYL9E-2P-16A-300mA-AC-S-10kA	AC	2	16	300	10
VYL9E-2P-25A-300mA-AC-S-10kA	AC	2	25	300	10
VYL9E-2P-40A-300mA-AC-S-10kA	AC	2	40	300	10
VYL9E-2P-63A-300mA-AC-S-10kA	AC	2	63	300	10
VYL9E-2P-80A-300mA-AC-S-10kA	AC	2	80	300	10
3P+N 30mA					
VYL9E-4P-16A-30mA-AC-10kA	AC	4	16	30	10
VYL9E-4P-25A-30mA-AC-10kA	AC	4	25	30	10
VYL9E-4P-40A-30mA-AC-10kA	AC	4	40	30	10
VYL9E-4P-63A-30mA-AC-10kA	AC	4	63	30	10
VYL9E-4P-80A-30mA-AC-10kA	AC	4	80	30	10
VYL9E-4P-100A-30mA-AC-10kA	AC	4	100	30	10
3P+N 100mA					
VYL9E-4P-16A-100mA-AC-10kA	AC	4	16	100	10
VYL9E-4P-25A-100mA-AC-10kA	AC	4	25	100	10
VYL9E-4P-40A-100mA-AC-10kA	AC	4	40	100	10
VYL9E-4P-63A-100mA-AC-10kA	AC	4	63	100	10
VYL9E-4P-80A-100mA-AC-10kA	AC	4	80	100	10
VYL9E-4P-100A-100mA-AC-10kA	AC	4	100	100	10
VYL9E-4P-16A-100mA-AC-S-10kA	AC	4	16	100	10
VYL9E-4P-25A-100mA-AC-S-10kA	AC	4	25	100	10
VYL9E-4P-40A-100mA-AC-S-10kA	AC	4	40	100	10
VYL9E-4P-63A-100mA-AC-S-10kA	AC	4	63	100	10
VYL9E-4P-80A-100mA-AC-S-10kA	AC	4	80	100	10
VYL9E-4P-100A-100mA-AC-S-10kA	AC	4	100	100	10
3P+N 300mA					
VYL9E-4P-16A-300mA-AC-10kA	AC	4	16	300	10
VYL9E-4P-25A-300mA-AC-10kA	AC	4	25	300	10
VYL9E-4P-40A-300mA-AC-10kA	AC	4	40	300	10
VYL9E-4P-63A-300mA-AC-10kA	AC	4	63	300	10
VYL9E-4P-80A-300mA-AC-10kA	AC	4	80	300	10
VYL9E-4P-100A-300mA-AC-10kA	AC	4	100	300	10
VYL9E-4P-16A-300mA-AC-S-10kA	AC	4	16	300	10
VYL9E-4P-25A-300mA-AC-S-10kA	AC	4	25	300	10
VYL9E-4P-40A-300mA-AC-S-10kA	AC	4	40	300	10
VYL9E-4P-63A-300mA-AC-S-10kA	AC	4	63	300	10
VYL9E-4P-80A-300mA-AC-S-10kA	AC	4	80	300	10
VYL9E-4P-100A-300mA-AC-S-10kA	AC	4	100	300	10

Why you should choose our products



Our products are high-quality and reliable circuit breakers (MCB), residual current circuit breaker, without overcurrent protection (RCCB), residual current circuit breaker with overload protection (RCBO) and voltage monitoring relays that will help you create a safe and comfortable home or workspace. We offer affordable prices for our products, as we understand how important it is to make repairs and construction affordable for everyone. At the same time, we do not skimp on quality, our products meet all necessary safety standards and undergo strict quality control. By choosing our products, you can be sure of their reliability and durability. Create your future with us!

Our concern for the environment

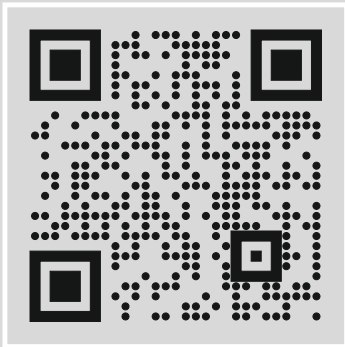
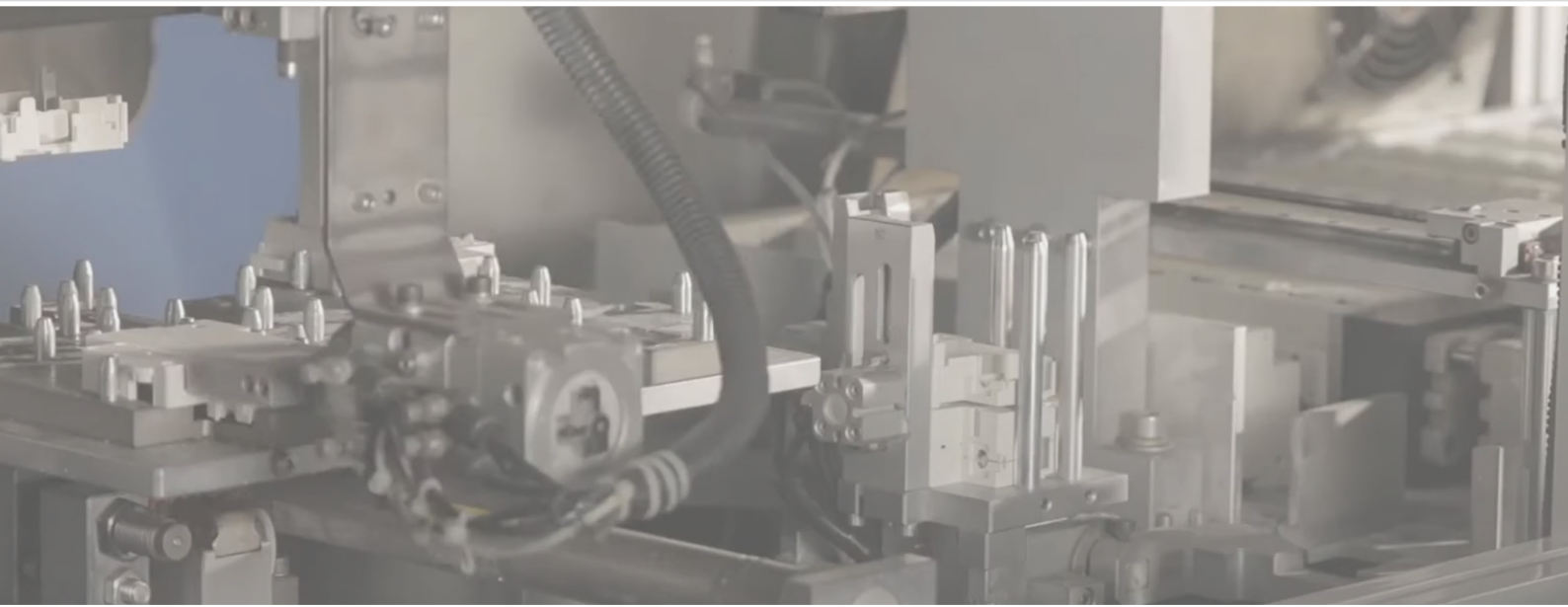


We take care of the environment and use eco-friendly materials for packaging our products. The corrugated cardboard we use can be recycled and reused, which reduces our environmental impact. We hope that after purchasing our products, you will dispose of the packaging correctly in order to protect the environment and preserve natural resources for future generations.

We strive to establish long-term partnerships based on trust and mutual benefit.

VÖTSCH HAUS

RCCB



Volthaus Industry LLC

Customer service, cooperation offers
and technical support:

tel.: +372 5939 4209

Mon-Fri: 10:00 am - 6:00 pm (EET)

volthaus@mail.ee

Visit our website: volthaus.net

If you have any questions or
need additional information,
please contact us.
We are always happy to help you.

VOLTHAUS

RCCB